

DO NOT SCALE FROM THIS PRINT

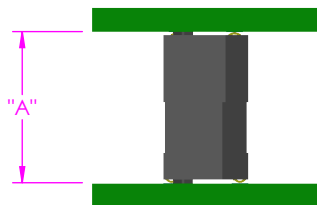


FIG 1
ERF8-DV MATED ERM8-DV

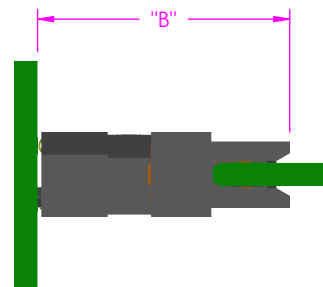


FIG 2
ERM8-DV MATED ERF8-EM

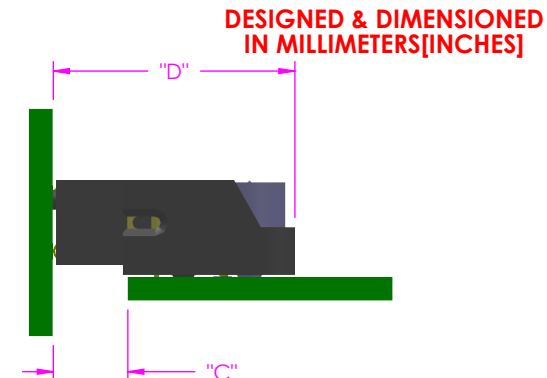


FIG 3
ERM8-DV MATED ERF8-RA

TABLE 1

		"A"				
		ERF8-DV LEAD STYLE				
		-05.0	-07.0	-09.0	-10.0	
ERM8-DV LEAD STYLE	-02.0	7.00 [.276]	9.00 [.354]	11.00 [.433]	12.00 [.472]	13.00 [.512]
	-03.0	8.00 [.315]	10.00 [.394]	12.00 [.472]	13.00 [.512]	14.00 [.551]
	-05.0	10.00 [.394]	12.00 [.472]	14.00 [.551]	15.00 [.591]	16.00 [.630]
	-08.0	13.00 [.512]	15.00 [.591]	17.00 [.669]	18.00 [.709]	19.00 [.748]
	-09.0	14.00 [.551]	16.00 [.630]	18.00 [.709]	19.00 [.748]	
	-10.0					

TABLE 3

		"B"	
		ERF8-EM LEAD STYLE	
		-01	
ERM8-DV LEAD STYLE	-02.0	13.88 [.546]	
	-03.0	14.88 [.586]	
	-05.0	16.88 [.665]	
	-08.0	19.88 [.783]	
	-09.0	20.88 [.822]	
	-10.0		

TABLE 5

		ERF8-RA LEAD STYLE	
		-01	
		"C"	"D"
ERM8-DV LEAD STYLE	-02.0	1.98 [.078]	13.03 [.513]
	-03.0	2.98 [.117]	14.03 [.552]
	-05.0	4.98 [.196]	16.03 [.631]
	-08.0	7.98 [.314]	19.03 [.749]
	-09.0	8.98 [.354]	20.03 [.789]
	-10.0		

TABLE 6

Fully Mated Board to Board Dimension "C" with Contact Wipe of 1.34[.053]	Max Allowable Board to Board Dimension "C" to Maintain Min Contact Wipe of 0.38[.015]
SEE TABLE 5	TABLE 5 DIM "C" + 0.96[.038]

TABLE 4

Fully Mated Connector to Board Dimension "B" with Contact Wipe of 1.47[.058]	Max Allowable Connector to Board Dimension "B" to Maintain Min Contact Wipe of 0.38[.015]
SEE TABLE 3	TABLE 3 DIM "B" + 1.08[.043]

TABLE 7

Fully Mated Connector to Board Dimension "D" with Contact Wipe of 1.34[.053]	Max Allowable Connector to Board Dimension "D" to Maintain Min Contact Wipe of 0.38[.015]
SEE TABLE 5	TABLE 5 DIM "D" + 0.96[.038]

TABLE 2	
Fully Mated Board to Board Dimension "A" with Contact Wipe of 1.24[.049]	Max Allowable Board to Board Dimension "A" to Maintain Min Contact Wipe of 0.38[.015]
SEE TABLE 1	TABLE 1 DIM "A" + 0.68[.034]

NOTES:

1. DRAWING ILLUSTRATES EFFECTIVE MATING RANGE OF CONNECTORS IN VARIOUS CONFIGURATIONS.
2. ALTHOUGH MAX DIMENSIONS ARE LISTED SAMTEC RECOMMENDS FULLY MATING COMPONENTS.
3. ALL DIMENSIONS BASED ON NOMINAL VALUES FOR SAMTEC RECOMMENDED PCB LAYOUTS.

PROPRIETARY NOTE

THIS DOCUMENT CONTAINS INFORMATION CONFIDENTIAL AND PROPRIETARY TO SAMTEC, INC. AND SHALL NOT BE REPRODUCED OR TRANSFERRED TO OTHER DOCUMENTS OR DISCLOSED TO OTHERS OR USED FOR ANY PURPOSE OTHER THAN THAT WHICH IT WAS OBTAINED WITHOUT THE EXPRESSED WRITTEN CONSENT OF SAMTEC, INC.



520 PARK EAST BLVD., NEW ALBANY, IN 47150
PHONE: 812-944-6733 FAX: 812-948-5047
e-Mail info@SAMTEC.com code 55322

ERX8 MATED VIEWS



FIG 4
ERM8-EM MATED ERF8-DV

TABLE 8		
		"E"
		ERM8-EM LEAD STYLE
		-01
ERF8-DV LEAD STYLE	-05.0	14.00 [.551]
	-07.0	15.92 [.627]
	-09.0	18.00 [.709]
	-10.0	19.00 [.748]

TABLE 9	
Fully Mated Connector to Board Dimension "E" with Contact Wipe of 1.37[.054]	Max Allowable Connector to Board Dimension "E" to Maintain Min Contact Wipe of 0.38[.015]
SEE TABLE 8	TABLE 8 DIM "E" + 0.99[.039]



FIG 5
ERF8-EM MATED ERM8-EM

TABLE 10	
Fully Mated Connector to Connector Dimension with Contact Wipe of 1.36[.054]	Max Allowable Connector to Connector Dimension to Maintain Min Contact Wipe of 0.38[.015]
20.79 [.819]	21.77 [.857]

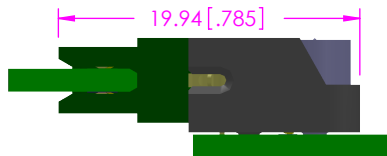


FIG 6
ERM8-EM MATED ERF8-RA

TABLE 11	
Fully Mated Connector to Connector Dimension with Contact Wipe of 1.38[.054]	Max Allowable Connector to Connector Dimension to Maintain Min Contact Wipe of 0.38[.015]
19.94 [.785]	20.94 [.824]

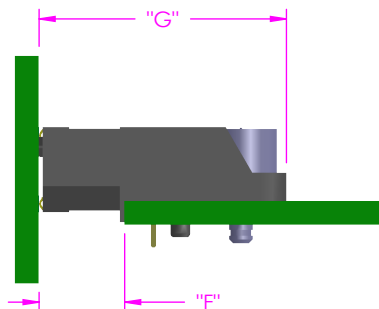


FIG 7
ERF8-DV MATED ERM8-RA

TABLE 12			
		ERM8-RA LEAD STYLE	
		-01	
		"F"	"G"
ERF8-DV LEAD STYLE	-05.0	5.71 [.225]	16.41 [.646]
	-07.0	7.63 [.300]	18.33 [.722]
	-09.0	9.71 [.382]	20.41 [.804]
	-10.0	10.71 [.422]	21.41 [.843]

TABLE 13	
Fully Mated Board to Board Dimension "F" with Contact Wipe of 1.30[.051]	Max Allowable Board to Board Dimension "F" to Maintain Min Contact Wipe of 0.38[.015]
SEE TABLE 12	TABLE 12 DIM "F" + 0.92[.036]

TABLE 14	
Fully Mated Connector to Board Dimension "G" with Contact Wipe of 1.30[.051]	Max Allowable Connector to Board Dimension "G" to Maintain Min Contact Wipe of 0.38[.015]
SEE TABLE 12	TABLE 12 DIM "G" + 0.92[.036]



FIG 8
ERM8-RA MATED ERF8-EM

TABLE 15	
Fully Mated Connector to Connector Dimension with Contact Wipe of 1.38[.054]	Max Allowable Connector to Connector Dimension to Maintain Min Contact Wipe of 0.38[.015]
23.20 [.913]	24.20 [.953]

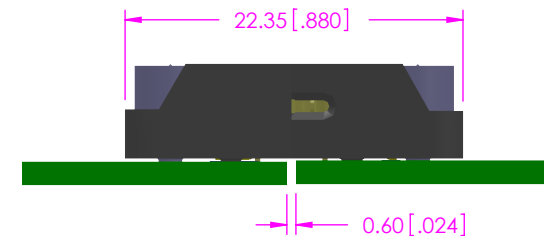


FIG 9
ERF8-RA MATED ERM8-RA

TABLE 16	
Fully Mated Connector to Connector Dimension with Contact Wipe of 1.40[.055]	Max Allowable Connector to Connector Dimension to Maintain Min Contact Wipe of 0.38[.015]
22.35 [.880]	23.37 [.920]

TABLE 17	
Fully Mated Board to Board Dimension with Contact Wipe of 1.40[.055]	Max Allowable Board to Board Dimension to Maintain Min Contact Wipe of 0.38[.015]
0.60 [.024]	1.62 [.064]

PROPRIETARY NOTE
THIS DOCUMENT CONTAINS INFORMATION CONFIDENTIAL AND PROPRIETARY TO SAMTEC, INC. AND SHALL NOT BE REPRODUCED OR TRANSFERRED TO OTHER DOCUMENTS OR DISCLOSED TO OTHERS OR USED FOR ANY PURPOSE OTHER THAN THAT WHICH IT WAS OBTAINED WITHOUT THE EXPRESSED WRITTEN CONSENT OF SAMTEC, INC.



520 PARK EAST BLVD., NEW ALBANY, IN 47150
PHONE: 812-944-6733 FAX: 812-948-5047
e-Mail info@SAMTEC.com code 55322

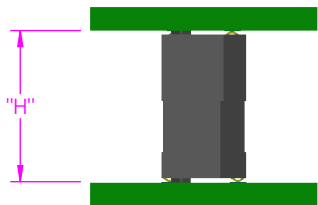


FIG 10
ERF8-DV MATED ERM8-DV-DS

TABLE 18					
"H"					
ERF8-DV LEAD STYLE					
-05.0 -07.0 -09.0 -10.0					
ERM8-DV LEAD STYLE	-02.0	7.00 [.276]	8.92 [.351]	11.00 [.433]	12.00 [.472]
	-03.0	8.00 [.315]	9.92 [.390]	12.00 [.472]	13.00 [.512]
	-05.0	10.00 [.394]	11.92 [.469]	14.00 [.551]	15.00 [.591]
	-08.0	13.00 [.512]	13.92 [.548]	17.00 [.669]	18.00 [.709]
	-09.0	14.00 [.551]	14.92 [.587]	18.00 [.709]	19.00 [.748]

TABLE 19	
Fully Mated Board to Board Dimension "H" with Signal Pin Wipe of 0.55[.022](Ground Pin Wipe of 1.25[.049])	Max Allowable Board to Board Dimension "H" to Maintain Min Signal Pin Wipe of 0.38[.015](Min Ground Pin Wipe of 1.08[.043])
SEE TABLE 1	TABLE 1 DIM "H" + 0.17[.007]

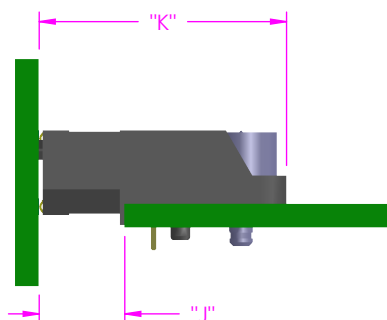


FIG 11
ERF8-DV MATED ERM8-RA-DS

TABLE 20			
ERM8-RA LEAD STYLE			
-01			
		"J"	"K"
ERF8-DV LEAD STYLE	-05.0	5.66 [.223]	16.36 [.644]
	-07.0	7.58 [.298]	18.28 [.719]
	-09.0	9.66 [.380]	20.36 [.801]
	-10.0	10.66 [.420]	21.36 [.841]

TABLE 21	
Fully Mated Board to Board Dimension "J" with Signal Pin Wipe of 0.59[.023](Ground Pin Wipe of 1.32[.052])	Max Allowable Board to Board Dimension "J" to Maintain Min Signal Pin Wipe of 0.38[.015](Ground Pin Wipe of 1.11[.044])
SEE TABLE 12	TABLE 12 DIM "J" + 0.21[.008]

TABLE 22	
Fully Mated Board to Board Dimension "K" with Signal Pin Wipe of 0.59[.023](Ground Pin Wipe of 1.32[.052])	Max Allowable Board to Board Dimension "K" to Maintain Min Signal Pin Wipe of 0.38[.015](Ground Pin Wipe of 1.11[.044])
SEE TABLE 12	TABLE 12 DIM "K" + 0.21[.008]

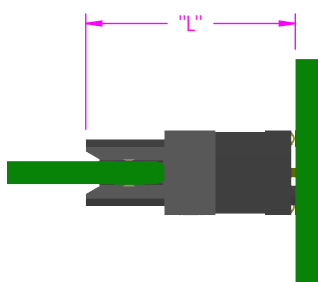


FIG 12
ERM8-EM-DS MATED ERF8-DV

TABLE 23		
"L"		
ERM8-EM LEAD STYLE		
-01		
ERF8-DV LEAD STYLE	-05.0	13.86 [.546]
	-07.0	15.78 [.621]
	-09.0	17.86 [.703]
	-10.0	18.86 [.743]

TABLE 24	
Fully Mated Connector to Board Dimension "L" with Signal Pin Wipe of 0.67[.026](Ground Pin Wipe of 1.37[.054])	Max Allowable Connector to Board Dimension "L" to Maintain Min Contact Wipe of 0.38[.015](Min Ground Pin Wipe of 1.08[.043])
SEE TABLE 8	TABLE 8 DIM "L" + 0.29[.011]

PROPRIETARY NOTE
THIS DOCUMENT CONTAINS INFORMATION CONFIDENTIAL AND PROPRIETARY TO SAMTEC, INC. AND SHALL NOT BE REPRODUCED OR TRANSFERRED TO OTHER DOCUMENTS OR DISCLOSED TO OTHERS OR USED FOR ANY PURPOSE OTHER THAN THAT WHICH IT WAS OBTAINED WITHOUT THE EXPRESSED WRITTEN CONSENT OF SAMTEC, INC.



520 PARK EAST BLVD., NEW ALBANY, IN 47150
PHONE: 812-944-6733 FAX: 812-948-5047
e-Mail info@SAMTEC.com code 55322